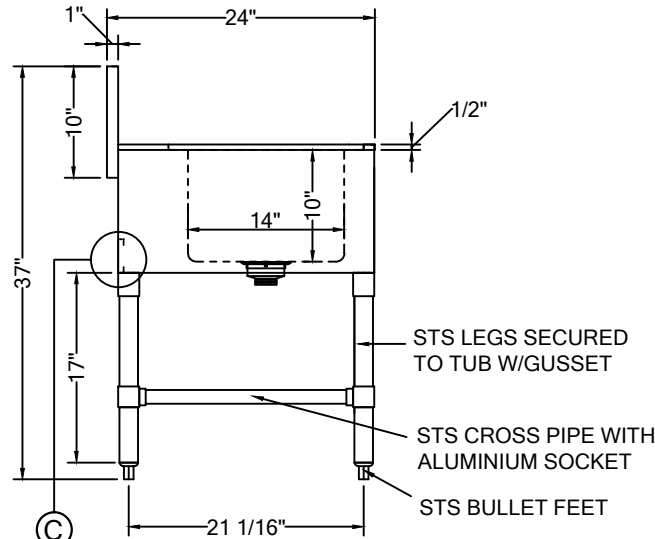
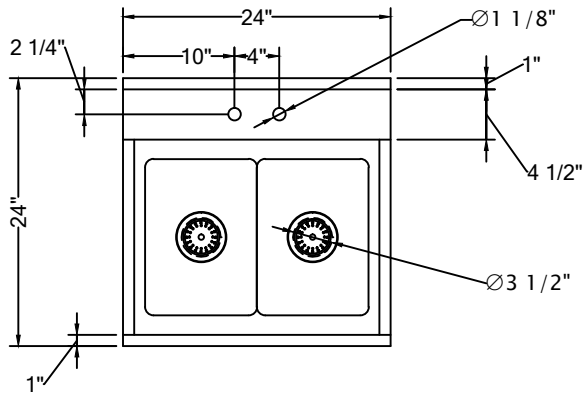


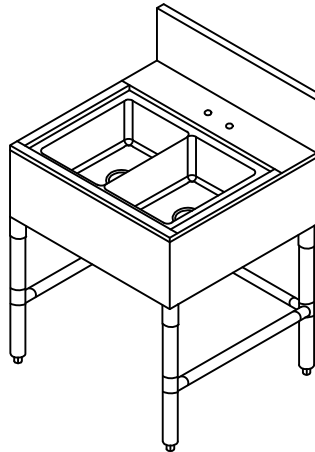
FRONT ELEVATION



SEE DETAIL "C"  
PLAN VIEW

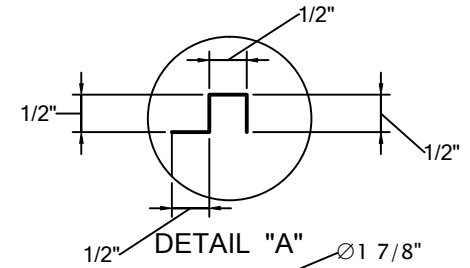


PLAN VIEW

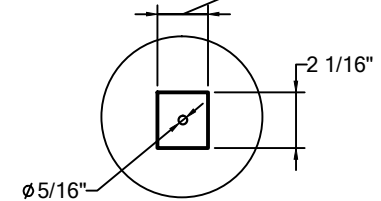


ISOMETRIC

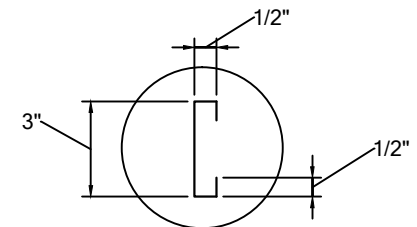
- 18 GA. 304 STAINLESS STEEL CONSTRUCTION.
- STS LEGS WITH ADJUSTABLE STS BULLET FEET.
- DECK MOUNT FAUCET HOLES ON 4" O.C.
- DRAIN BASKET INCLUDED.



DETAIL "A"  $\phi 1\ 7/8$ "



DETAIL "B"



DETAIL "C"

DRAWIN FOR :	MAT.	TOP : 18GA. 304S/S	DATE	REVISIONS
		BASE :	Jun / 26 / 2017	Change model name from TA-BS22424 to TA-BHS2424
REF. NO :	REQ'D/ITEM :	Aug / 07 / 2017	Change gusset location	
ITEM NAME : Bar Hand Sink	DATE : Dec / 29 / 2017			
PROD. NO. : TA-BHS2424	BY :			
SCALE: 1/2" = 1'-0"	CHECKED BY :			

Tarrison  
Products Ltd.